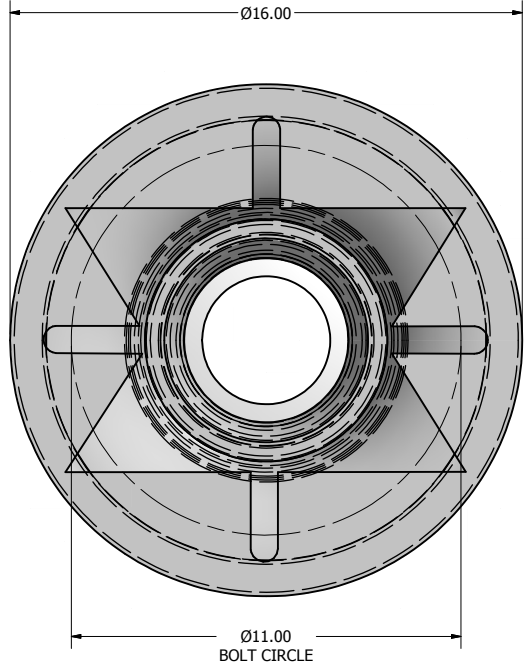


NOTE: FINISH SHALL BE POLYESTER POWDER COAT IN A STANDARD COLOR.

****NOTE FOR ALUMINUM POLES ONLY****



BASE CASTING BOTTOM VIEW

DRAWN	M. HARVALA	11/18/2010	UNITED LIGHTING STANDARDS, INC 23171 GROESBECK HWY. WARREN, MI 48089		
CHECKED					
QA			REV		
MFG			SIZE	DWG NO	
APPROVED			C	B5	
			SCALE		SHEET 1 OF 1